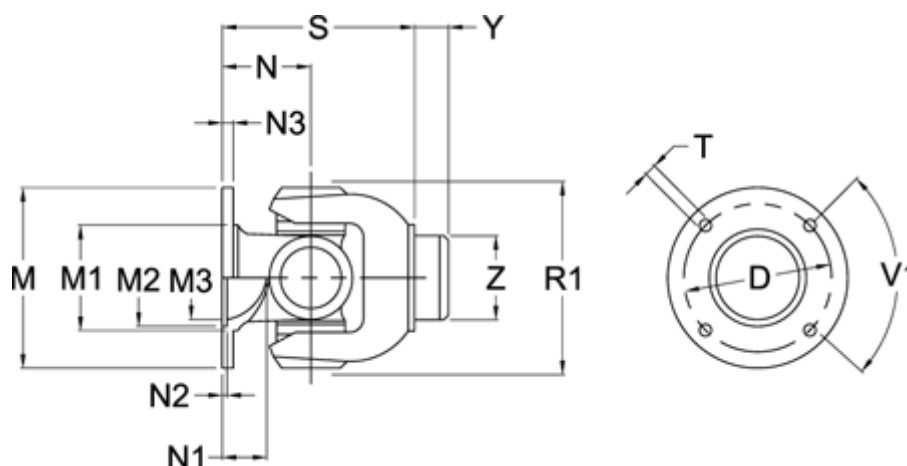


Article number: 07148051001

Description: Universal joint single 0.148.051.001  
S=145 X= Bore with keyway

## Measures



|                            |                   |                       |                 |           |
|----------------------------|-------------------|-----------------------|-----------------|-----------|
| D                          | = 155,5 $\pm$ 0,1 | N2                    | = 3,6 $\pm$ 0,5 | Z = 72.25 |
| Flange diameter M          | = 180             | N3                    | = 10            |           |
| M1                         | = 126             | Number og Flangeholes | = 8             |           |
| M2                         | = 110             | R1                    | = 138           |           |
| M3                         | = 76              | S min                 | = 145           |           |
| Max. Bending Angle degrees | = 20              | T                     | = 12 B12        |           |
| N                          | = 65              | V1 degrees            | = 45            |           |
| N1                         | = 32              | Y                     | = 25            |           |